

## High performance sealing tape for expansion and construction joints as well as cracks

- durable and flexible
- high movement capability depending on tape thickness and width of the flex zone
- thermal welding ensures secure, watertight joints

### PRODUCT DESCRIPTION

VANDEX FLEXTAPE E is a sealing tape made of FPO (flexible polyolefine). Extremely durable, it has excellent resistance to weathering, UV radiation and chemicals. The bond to the substrate is achieved using a suitable adhesive.

### AREAS OF APPLICATION

The VANDEX FLEXTAPE E system bridges and seals expansion and construction joints as well as cracks in concrete constructions.

The maximum permissible expansion under continuous load depends on the thickness of the tape and the width of the unbonded flex zone.

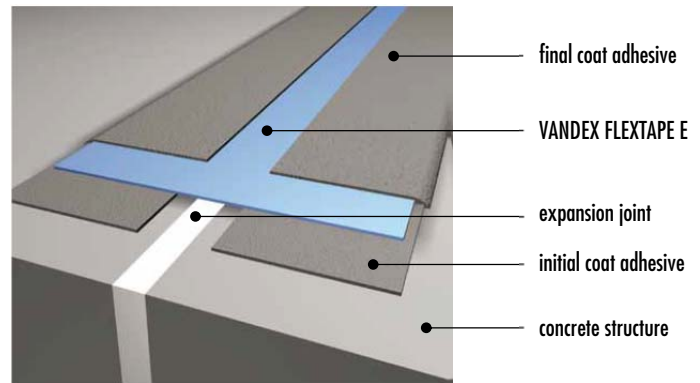
The VANDEX FLEXTAPE E system is resistant to hydrostatic pressure on the active side and on the passive side, only in combination with a counterpressure structure. In presence of a negative water pressure up to 0.3 bar, there is no need for a counterpressure structure.

### SURFACE PREPARATION

The concrete surface to be covered must be sound, clean and free of dust, oil and grease. Suitable methods for surface preparation are sand blasting, high pressure water jetting and grinding. Any unevenness or other surface irregularities must be levelled off prior to application of the adhesive. The permissible concrete moisture of the surface depends on the type of adhesive which has been chosen.

### APPLICATION

- Apply the adhesive as an initial coating to both sides of the joint or crack with a trowel or toothed comb. With cracks, construction or expansion joints, an expansion zone of sufficient width is recommended to be left free of adhesive. Please consult our technical service for further assistance.
- Press the VANDEX FLEXTAPE E firmly into the adhesive. Any trapped air must be worked out. Where greater than normal movement is anticipated, it is advisable to leave some slack in the tape in the flex zone.
- Float the final coating by trowel. In case of any necessary overcoating, the adhesive must be sprinkled immediately with dry quartz sand.
- Protect VANDEX FLEXTAPE E against possible mechanical damage throughout application by appropriate means, such as sheet metal, rubber matting or polystyrene boards. Protect VANDEX FLEXTAPE E against heat exceeding 90 °C.



### PACKAGING

Rolls of 20 m (all types)

Type	Thickness [mm]	Width [mm]	application recommended for:
150/1	1.0	150	cracks, construction joints
200/1	1.0	200	cracks, construction joints
200/2	2.0	200	expansion joints
250/2	2.0	250	expansion joints

Further types on request.

### STORAGE

12 months from date of production if stored properly in undamaged, unopened original sealed packaging in dry conditions, protected from sun (UV), at temperatures between +5 and +30 °C. Opened and unprotected rolls must be used within 2 months.

### LAP JOINT WELDING

Hot air welding ensures the elasticity of all VANDEX FLEXTAPE E connections.

Welding temperature: 320 °C

The minimum overlap of the tape is 5 cm. Before welding, roughen the contact area with sand paper.

### HEALTH AND SAFETY

Please refer to Safety Data Sheets for VANDEX FLEXTAPE E and corresponding adhesive.

<b>TECHNICAL DATA</b>			
<b>VANDEX FLEXTAPE E</b>			
Chemical base of the tape		FPO (flexible polyolefines)	
Surface structure		even	
Colour		grey	
Resistance against water pressure	[bar]	> 4.0	DIN EN 1928 (B)
Tear resistance	[MPa]	> 10	DIN EN ISO 527-3
Elongation at rupture, lateral	%	> 800	DIN EN ISO 527-3
Temperature resistance	[°C]	-30 up to +90	
UV resistance		resistant	
Fire rating		B2	DIN EN 4102
<b>Chemical resistance</b>			
Hydrochloric acid 3%		resistant	
Sulphuric acid 35%		resistant	
Citric acid 100 g/l		resistant	
Lactic acid 5%		resistant	
Potassium hydroxide 3%/20%		resistant	
Sodium hypochlorite 0.3 g/l		resistant	
Salt water (20 g NaCl/l)		resistant	
<b>System VANDEX FLEXTAPE E bonded with VANDEX FLEXTAPE ADHESIVE G</b>			
Chemical base of the adhesive		2-component epoxy adhesive (rigid)	
Adhesion strength	[N/mm <sup>2</sup> ]	> 3.0 (fracture in concrete)	
All data is averaged from several tests under laboratory conditions. In practice, climatic variations such as temperature, humidity, and porosity of substrate may affect these values.			

The information contained herein is based on our long-term experience and the best of our knowledge. We can, however, make no guarantee since for a successful outcome, all circumstances in an individual case must be taken into consideration. Indications of quantities required are only averages which in certain cases might be greater.



An **RPM** Company

**HEAD OFFICE AND INTERNATIONAL SALES:**  
**Vandex International Ltd**  
P.O. Box · CH-4501 Solothurn/Switzerland  
+41 32 626 36 36 · info@vandex.com · www.vandex.com

**PRODUCTION:**  
**Vandex Isoliermittel-Gesellschaft m.b.H.**  
P.O. Box · D-21487 Schwarzenbek/Germany



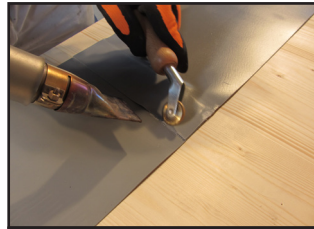
### Straight joint



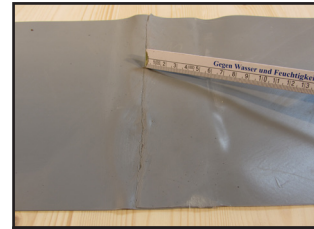
Roughen the contact area with sandpaper



Heat tape surfaces using a hot air welding gun and press them together



For perfectly sealed tape joints, weld the borders and press them together with the roller



Completed straight joint

**Overlap of butt joints:**  
 Straight joint: min. 5 cm  
 Corner joints: min. 2 cm  
**Welding temperature: 320 °C**

### Internal corner



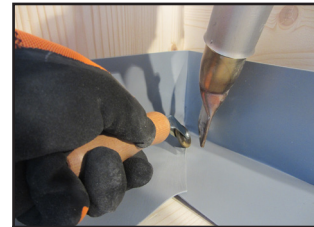
Cut to the centre of the tape and fit it into the internal corner; overlapping: > 2 cm, cut away the rest



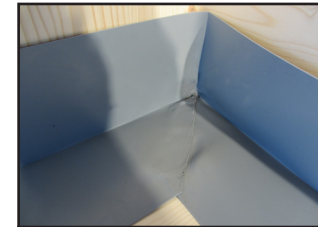
Roughen the contact area with sandpaper



Heat tape surfaces using a hot air welding gun and press them together, starting from the corner working outwards

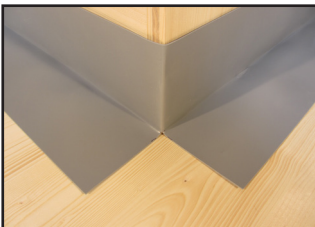


For perfectly sealed tape joints, weld the borders and press them together with the roller



Completed internal corner

### External corner



Cut to the centre of the tape and fit it around the external corner



Roughen the contact area with sandpaper



Cut a supplementary piece of tape; heat one corner using a hot air welding gun, stretch it slightly and ...



... fix it to the contact point in the corner also heated before; overlapping: > 2 cm



Heat tape surfaces and press them together, starting from the corner working outwards



For perfectly sealed tape joints, weld the borders and press them together with the roller