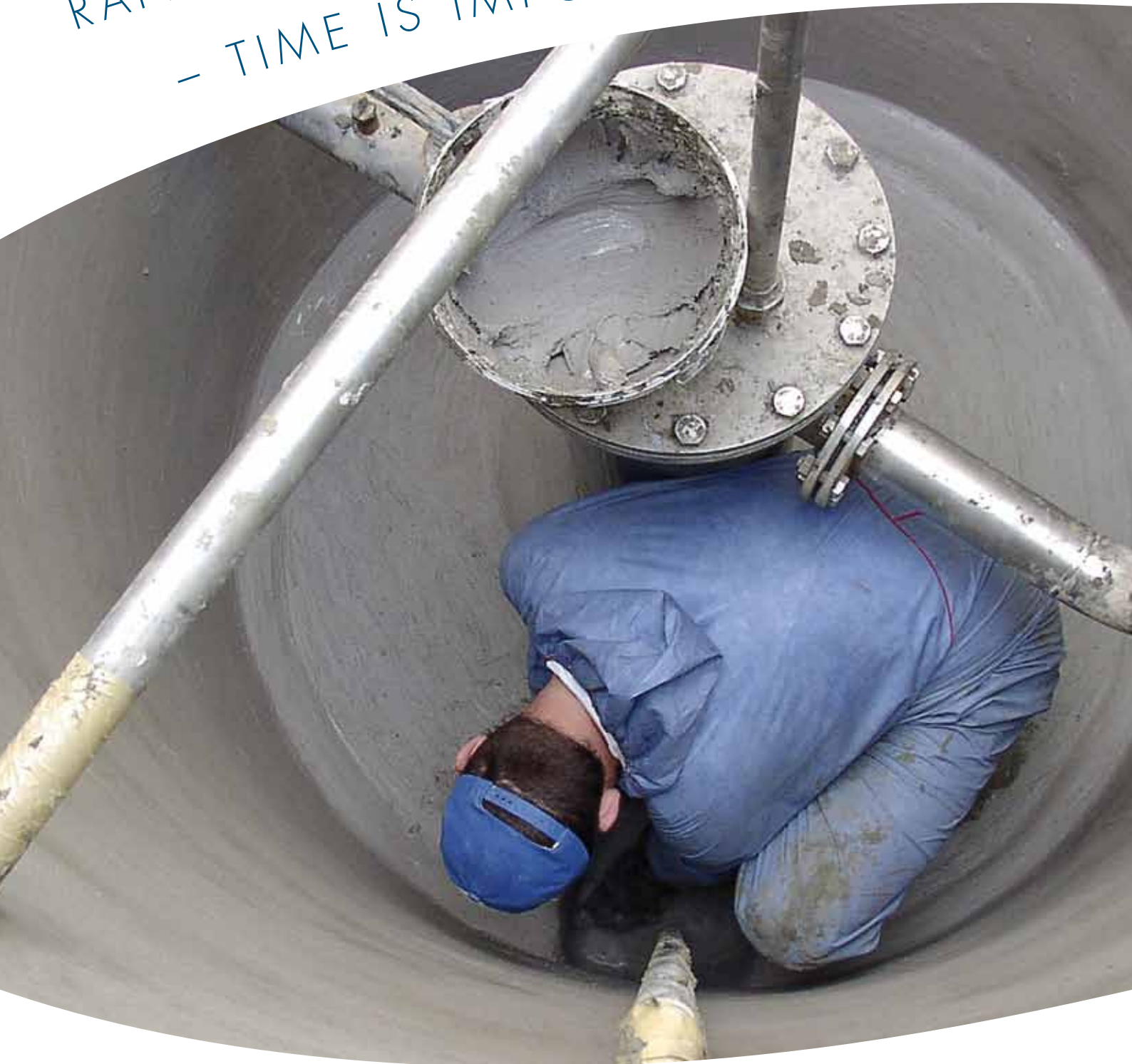


RAPID REPAIR AND COATING SYSTEMS  
- TIME IS IMPORTANT...



## **VANDEX RAPID SYSTEM – true problem solver**

The four products in the VANDEX RAPID SYSTEM range are true problem solvers. Their waterproofing properties develop even when in contact with running water. Only hours after application the products are capable of withstanding maximum load, resulting in minimal interruption of the wastewater flow. Furthermore the products are resistant to domestic sewage.

## **Chemically resistant waterproof coating – in a few hours**

Due to its composition of cement, quartz with graded grain-size distribution and special chemical ingredients of an inorganic nature, the VANDEX RAPID SYSTEM product range cures completely within a few hours. The waterproof coating formed is highly resistant to abrasion and chemicals.

## **Repair or maintenance – no compromise**

In sewage systems there are many areas such as manholes, collectors and treatment plants which require repair or maintenance, but often can only be shut down for a short period of time. A repair and refurbishment system allowing this with a downtime as low as just 4–6 hours is often required. The VANDEX RAPID SYSTEM offers this without compromising the quality of the repairs.

## **Areas of application**

- Manholes
- Sewers
- Collectors
- Treatment plants
- Pipe junctions/connections
- Tunnels
- Below ground structures

## **Advantages**

- ✓ Rapid setting
- ✓ Cures in a few hours
- ✓ Immediately resistant to load
- ✓ Short and predictable downtime
- ✓ Designed for use in sewers and manholes

## **Typical damage to repair**

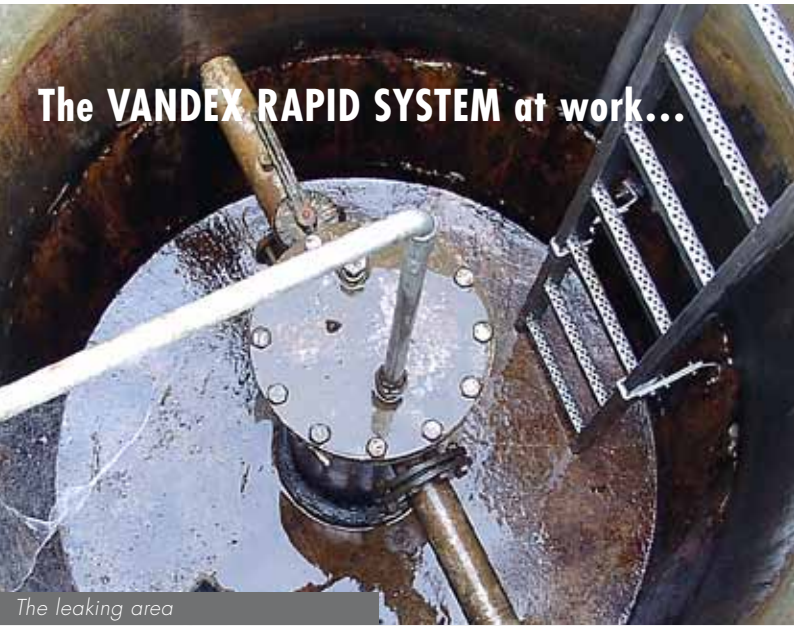
- Ground water ingress
- Damaged joints
- Cracks
- Corroded concrete
- Leaking pipes and junctions



**TIME IS IMPORTANT...**



**The VANDEX RAPID SYSTEM at work...**



*The leaking area*



*Substrate preparation*



*Sealing of leaking joints*



*Sealing of leaking points*

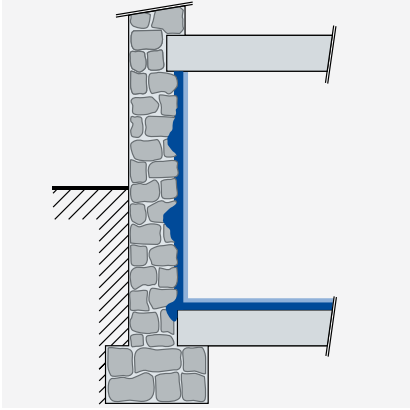


*Applying a covered fillet at wall / floor junction*

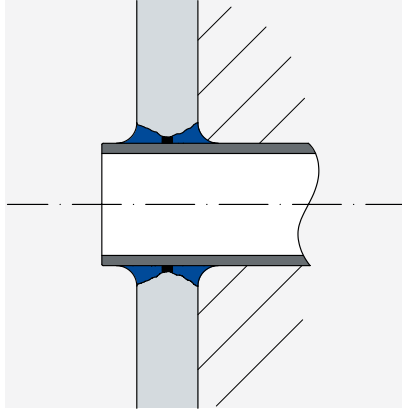


*Waterproofing the surface*

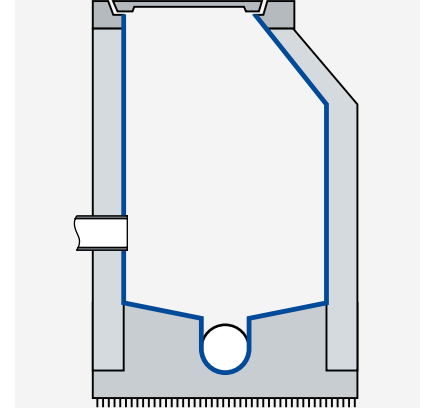
## Basement



## Pipe Inlet



## Manhole



# THE VANDEX RAPID SYSTEM

## VANDEX RAPID S

### Rapid waterproofing slurry

- After 3 hours – resistant to load
- For concrete, masonry and render
- As sealing and interior coating
- Designed for use in sewers and manholes

## VANDEX RAPID M

### Rapid waterproof repair mortar

- After 1 hour – resistant to load
- Waterproof at 10 mm layer thickness
- For horizontal and vertical application
- Designed for use in sewers and manholes

## VANDEX RAPID XL

### Rapid reprofiling mortar

- After 2 hours – resistant to load
- 100 mm applicable in one working cycle
- Fibre reinforced
- Designed for use in sewers and manholes

## VANDEX RAPID 2

### Rapid waterproof plugging compound

- 2 minutes setting time
- Stops flowing water
- Installation of pipes in manholes
- Designed for use in sewers and manholes



VX.B.RA.Pen.1605



### RPM/Belgium N.V.

H. Dunantstraat 11B · B-8700 Tielt · T.:+32 (0) 51 40 38 01

### Alteco Technik GmbH

Raiffeisenstraße 16 · D-27239 Twistringen · T.:+49 (0) 42 43 92 95 0

### Hermeta GmbH

Kanalstraße 11 · D-12357 Berlin · T.:+49 (0) 30 661 70 72

### Monile France SARL

10, rue de la Lande · F-35430 St. Jouan des Guerets · T.:+33 (0) 608 86 96 56

### Vandex International Ltd

Rötistrasse 6 · CH-4501 Solothurn · T.:+41 (0) 32 626 36 36

### Vandex Isoliermittel-GmbH

Industriestraße 19–23 · D-21493 Schwarzenbek · T.:+49 (0) 41 51 89 15 0

### Vandex AG

Rötistrasse 6 · CH-4501 Solothurn · T.:+41 (0) 32 626 36 46

### Alteco Polymer Systems

436 Seventh Avenue, Suite 1850 · Pittsburgh, PA 15219 · T.: +1 216 258 8715